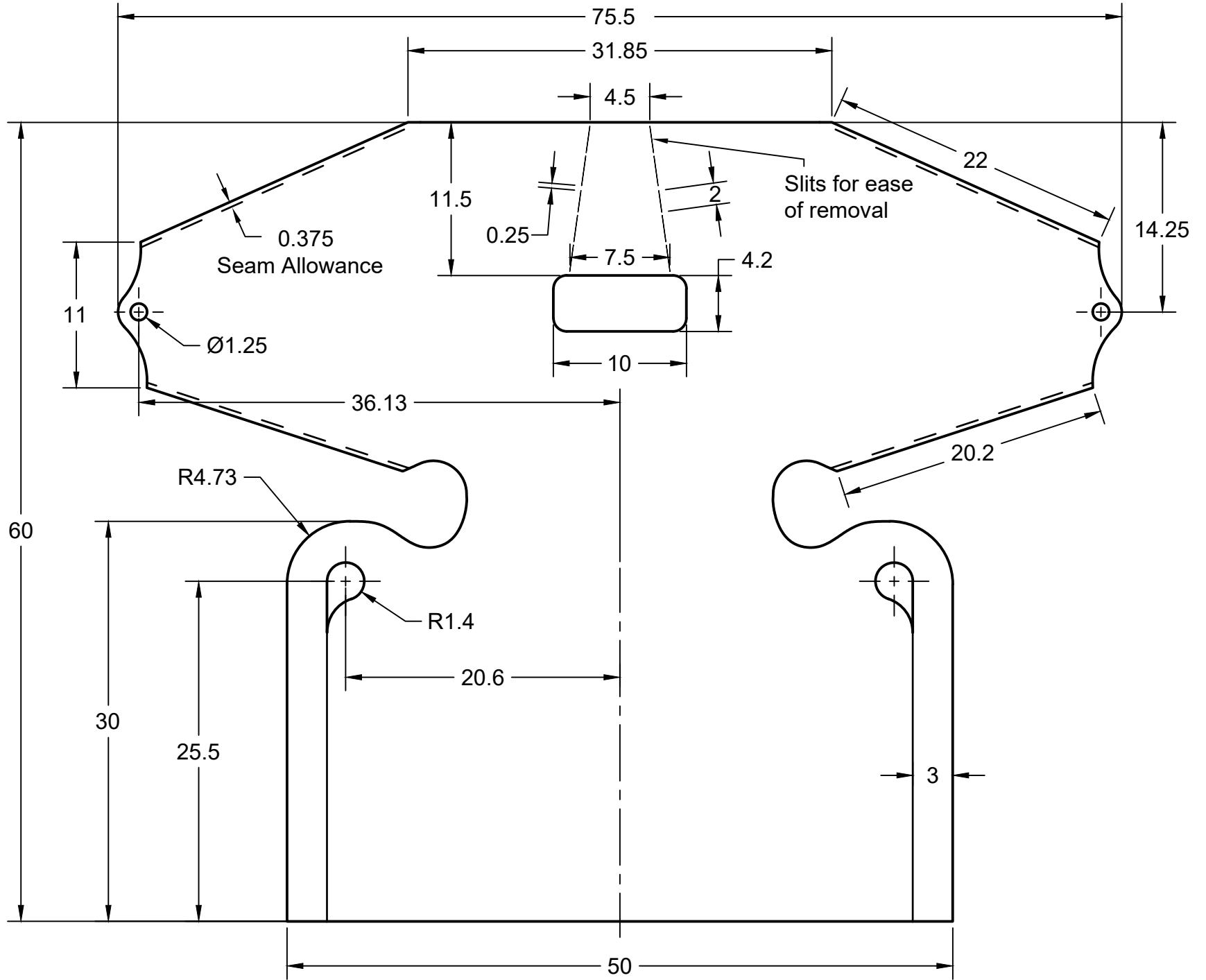


# HeLa Gown M Overall Dimensions

Created by Artisan's Asylum, updated 4/20/2020

Units: Inches

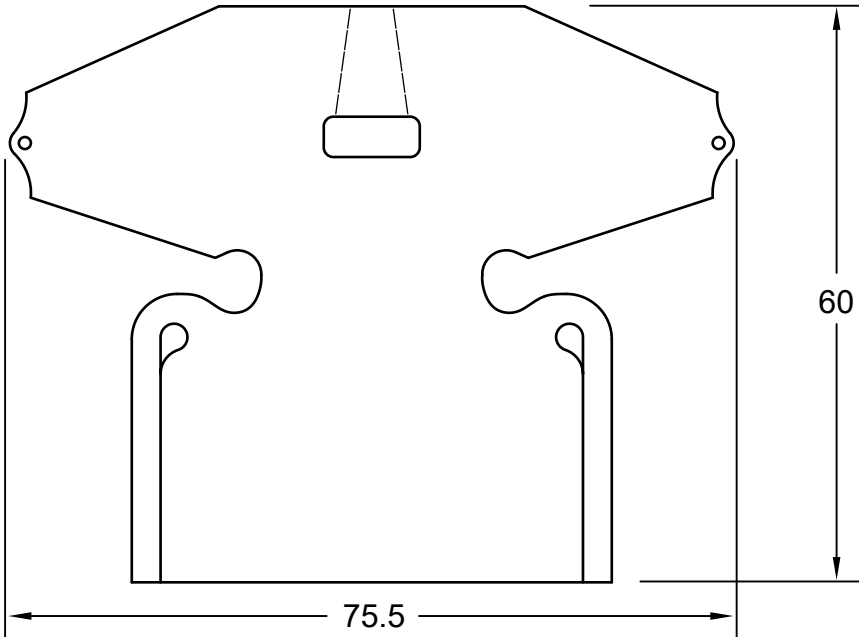
Scale 1:10



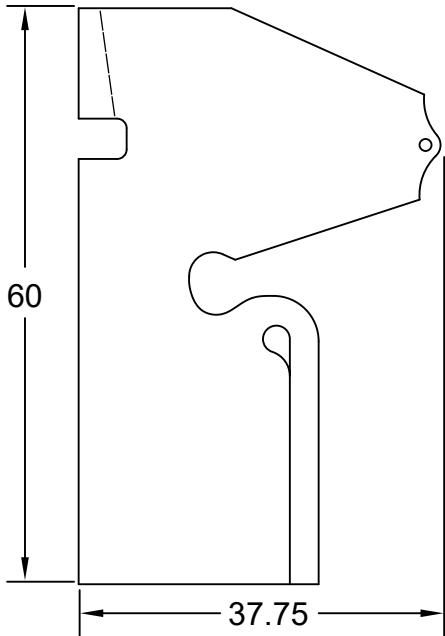
# HeLa Gown M Pattern Options

Each pattern option is designed for different resource capabilities. All patterns designed with 3/8" seam allowance.

Option 1: Full-size pattern  
Bounding box: 75.5" x 60"



Option 2: Pattern for material folded along its width and then cut.  
Bounding box: 37.75" x 60"



Option 3: Two-piece pattern modified for smaller cutting formats.  
Upper piece (torso and sleeves) bounding box: 75.5" x 30"  
Lower piece (gown and ties) bounding box: 50" x 30"

